

FET Series

High Pressure Non Spill Quick Couplings



Connect with Confidence

Parker's FET Series couplings are built to be used in high pressure, high impulse applications that require the security of a threaded connection and the ability to connect and disconnect under residual pressure.

Manufactured from high grade materials, our FET Series couplings are built to be the work horse in the most demanding hydraulic applications. With a durable brinell resistant design and an unique stainless steel valve, these couplings provide a new level of performance in the coupling industry. Made in the USA, FET Series couplings are interchangeable with other European style thread-to-connect couplings.



Contact Information:

Parker Hannifin Corporation
Quick Coupling Division
8145 Lewis Road
Minneapolis, MN 55427

Phone: 763-544-7781
Fax: 763-544-3418
qcd_sales@parker.com

www.parker.com/quickcouplings

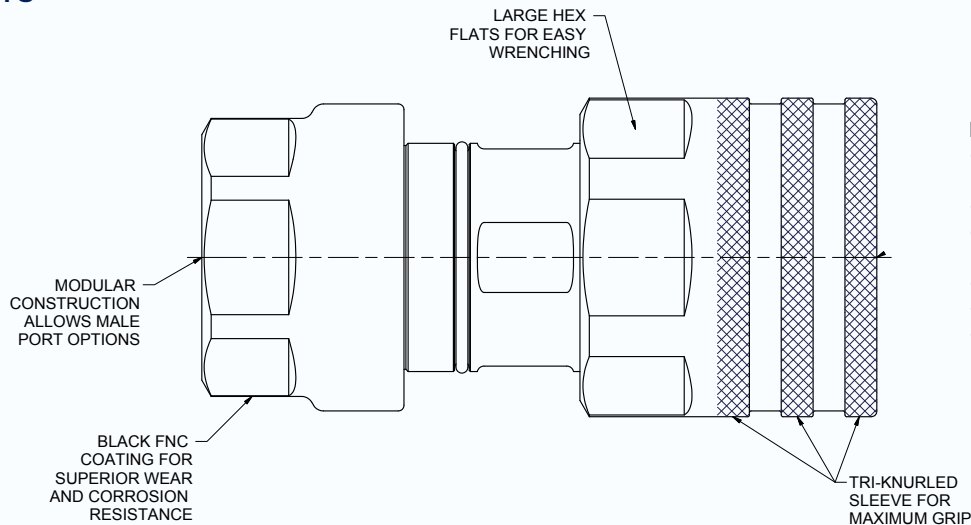
FET Series Features:

- Up to 6000 psi operating pressure
- Connect under residual pressure up to 5000 psi
- Disconnect under residual pressure up to 2500 psi
- Interchanges with similar thread-to-connect couplings
- High impulse resistance
- High strength materials
- FNC coating for extended durability and corrosion resistance
- Robust threaded connection
- Visual connection indicator



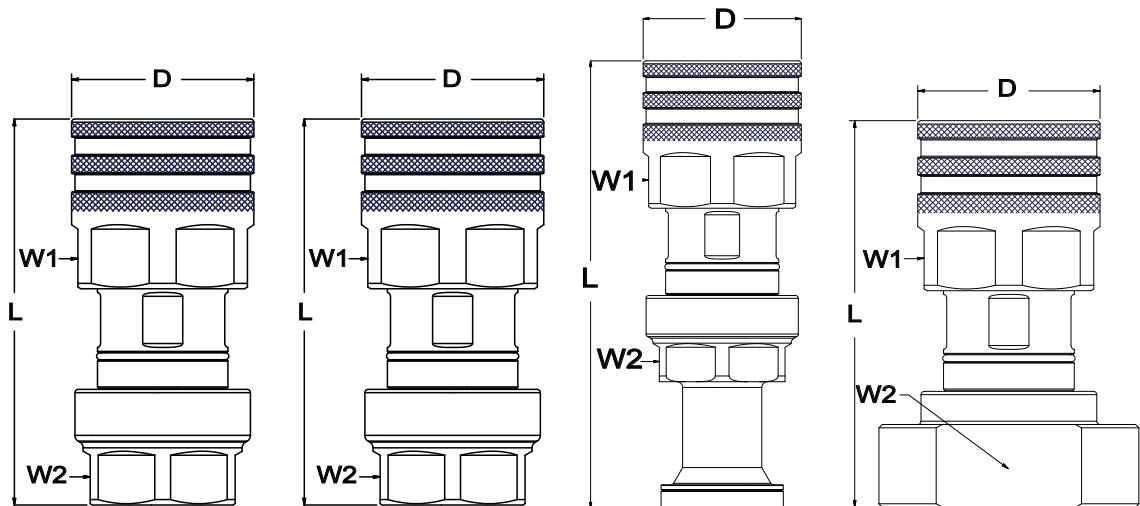
ENGINEERING YOUR SUCCESS.

Couplers



Internal Features:

- Smooth Flow path provides exceptional pressure drop
- High strength stainless valve
- Encapsulated washout resistant valve seal
- Non-spill valving
- Sealed interface thread
- Balanced connect under pressure valving



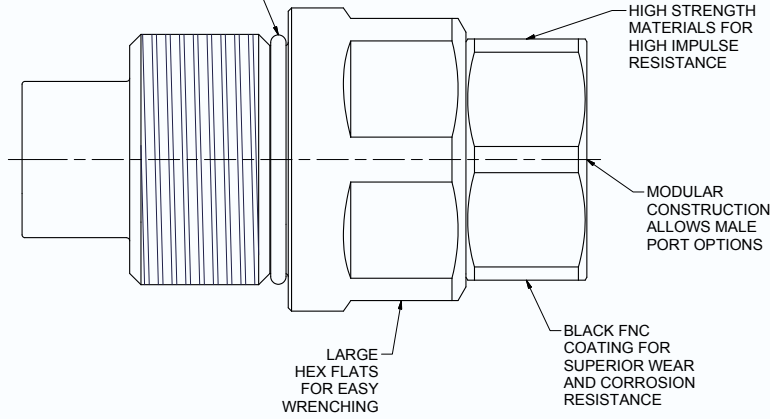
Body Size	SAE O-Ring Boss				Female NPTF				Code 62 Flange Head			Code 62 Flange Pad		
	5/8"	3/4"	1"	1-1/2"	5/8"	3/4"	1"	1-1/2"	3/4"	1"	1-1/2"	3/4"	1"	1-1/2"
L (in)	4.66	5.44	5.83	7.08	4.52	5.44	5.83	7.08	7.60	7.78	9.83	5.45	5.83	6.82
D (in)	2.12	2.31	2.75	3.75	2.12	2.31	2.75	3.75	2.31	2.75	3.75	2.31	2.75	3.75
W1 (mm)	50	55	65	85	50	55	65	85	55	65	85	55	65	85
W2 (in)	1-5/8	2	2-3/16	2-5/8	1-5/8	2	2-3/16	2-5/8	2	2-3/16	2-5/8	2-3/4	3	2-5/8
Rated Pressure* (psi)	5000	4000	3000	2500	5000	5000	5000	3000	6000	6000	4000	6000	6000	4000
Weight (lbs)	2.06	3.30	4.72	10.01	2.03	3.35	4.76	10.06	4.17	5.44	11.37	4.82	6.90	13.31

*The maximum dynamic pressure of the coupling is the lesser of the rated pressure of the coupling and port connection used. Contact QCD for additional body sizes and port configurations.

Body Size		SAE O-Ring Boss		Female NPTF		Code 62 Flange Head	Code 62 Flange Pad		Dust Plug
Inch	Euro Size	Part Number	Thread Size	Part Number	Thread Size	Part Number	Part Number	Bolt Thread Size	Part Number
5/8"	15	FET-621-12FO	1 1/16 - 12	FET-621-12FP	3/4 - 14	-	-	-	FET6DP-01
3/4"	17	FET-751-16FO	1 5/16 - 12	FET-751-16FP	1-11 1/2	FET-751-16SF	FET-751-16SFP	7/16-14	FET7DP-01
1"	21	FET-1001-20FO	1 5/8-12	FET-1001-20FP	1 1/4-11 1/2	FET-1001-20SF	FET-1001-20SFP	1/2-13	FET10DP-01
1-1/2"	30	FET-1501-24FO	1 7/8 - 12	FET-1501-24FP	1 1/2 - 11 1/2	FET-1501-24SF	FET-1501-24SFP	5/8 - 11	FET15DP-01

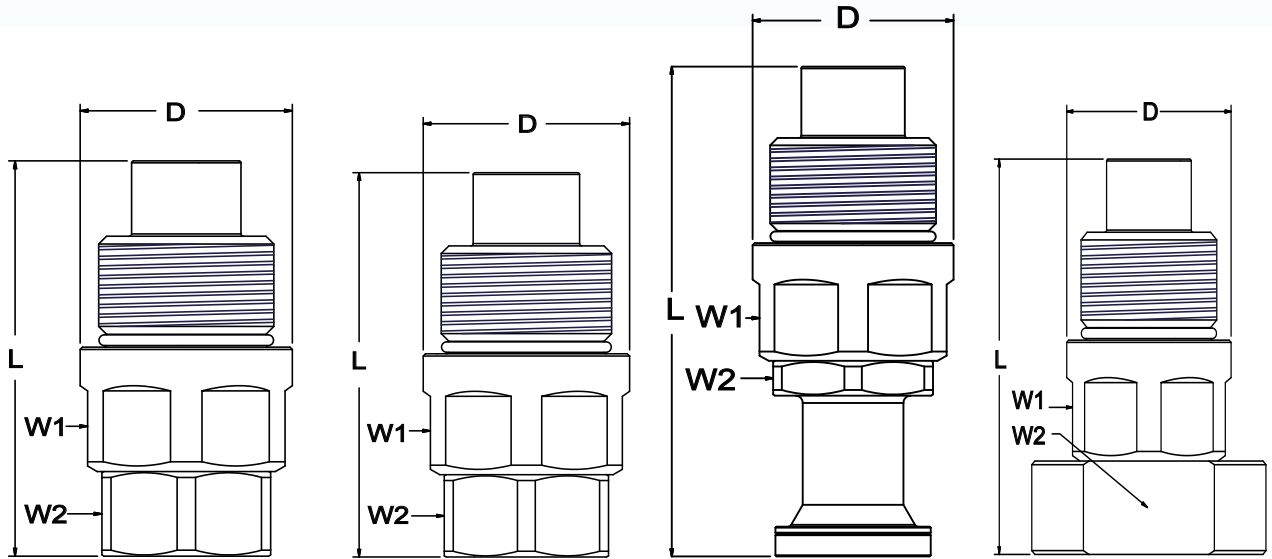
Nipples

RED O-RING PROVIDES VISUAL FULL CONNECTION INDICATOR AND INTERFACE THREAD SEALING



Internal Features:

- PTFE slipper interface seal
- Encapsulated washout resistant valve seal
- Pressure eliminator valving allows connection up to 5000 PSI with coupler drained to tank
- Non-spill valving



	SAE O-Ring Boss				Female NPTF				Code 62 Flange Head			Code 62 Flange Pad		
	5/8"	3/4"	1"	1-1/2"	5/8"	3/4"	1"	1-1/2"	3/4"	1"	1-1/2"	3/4"	1"	1-1/2"
Body Size	5/8"	3/4"	1"	1-1/2"	5/8"	3/4"	1"	1-1/2"	3/4"	1"	1-1/2"	3/4"	1"	1-1/2"
L (in)	4.21	4.74	5.12	5.94	4.08	4.65	5.12	5.94	6.32	6.70	7.77	4.74	5.27	5.94
D (in)	2.12	2.31	2.75	3.75	2.12	2.31	2.75	3.75	2.31	2.75	3.75	2.31	2.75	3.75
W1 (mm)	50	55	65	75	50	55	65	75	55	65	75	55	65	75
W2 (in)	1-5/8	2	2-3/16	2-5/8	1-5/8	2	2-3/16	2-5/8	2	2-3/16	2-5/8	2-3/4	3	2-5/8
Rated Pressure* (psi)	5000	4000	3000	2500	5000	5000	5000	3000	6000	6000	5000	6000	6000	5000
Weight (lbs)	2.05	2.76	4.31	7.94	2.02	2.72	4.35	8.00	3.10	4.71	8.08	4.33	6.78	12.17

*The maximum dynamic pressure of the coupling is the lesser of the rated pressure of the coupling and port connection used. Contact QCD for additional body sizes and port configurations.

Body Size		SAE O-Ring Boss		Female NPTF		Code 62 Flange Head	Code 62 Flange Pad		Dust Cap
Inch	Euro Size	Part Number	Thread Size	Part Number	Thread Size	Part Number	Part Number	Bolt Thread Size	Part Number
5/8"	15	FET-622-12FO	1 1/16 -12	FET-622-12FP	3/4 - 14	-	-	-	FET6DC-01
3/4"	17	FET-752-16FO	1 5/16 - 12	FET-752-16FP	1-11 1/2	FET-752-16SF	FET-752-16SFP	7/16-14	FET7DC-01
1"	21	FET-1002-20FO	1 5/8-12	FET-1002-20FP	1 1/4-11 1/2	FET-1002-20SF	FET-1002-20SFP	1/2-13	FET10DC-01
1-1/2"	30	FET-1502-24FO	1 7/8 -12	FET-1502-24FP	1 1/2 - 11 1/2	FET-1502-24SF	FET-1502-24SFP	5/8 - 11	FET15DC-01



Applications:

Use Parker FET Series couplings for any high pressure, high impulse applications requiring the security of a threaded connection and the ability to connect and disconnect under residual pressure. Parker's FET Series are ruggedly designed and engineered to meet the requirements of the most demanding construction, oil & gas and mining applications.

FET Series – High Pressure Non Spill Couplings

- Mobile drill rigs
- Oil field equipment
- Wet lines
- Umbilical lines
- High impulse mobile circuits
- Power tongs
- Excavator attachments

